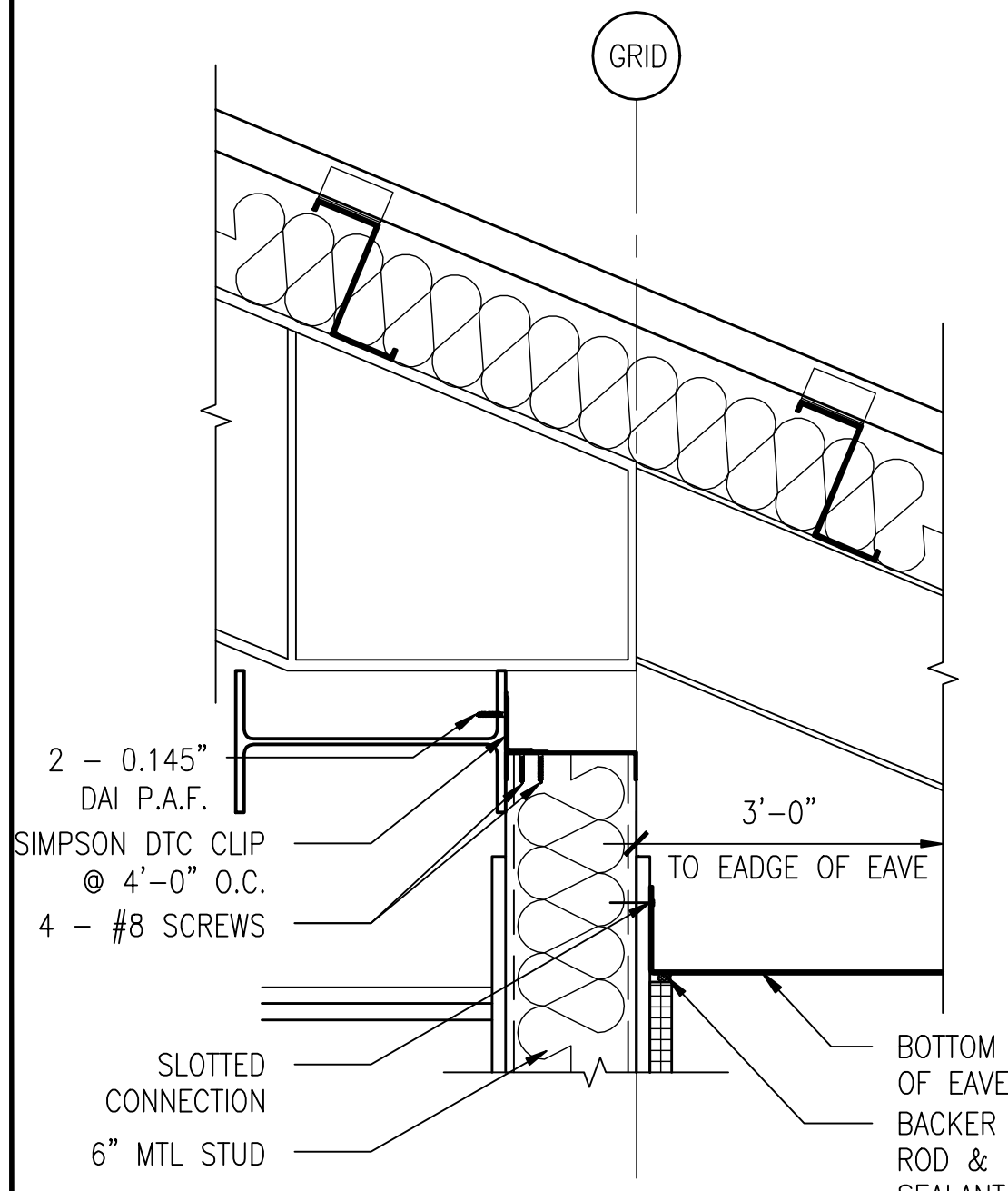
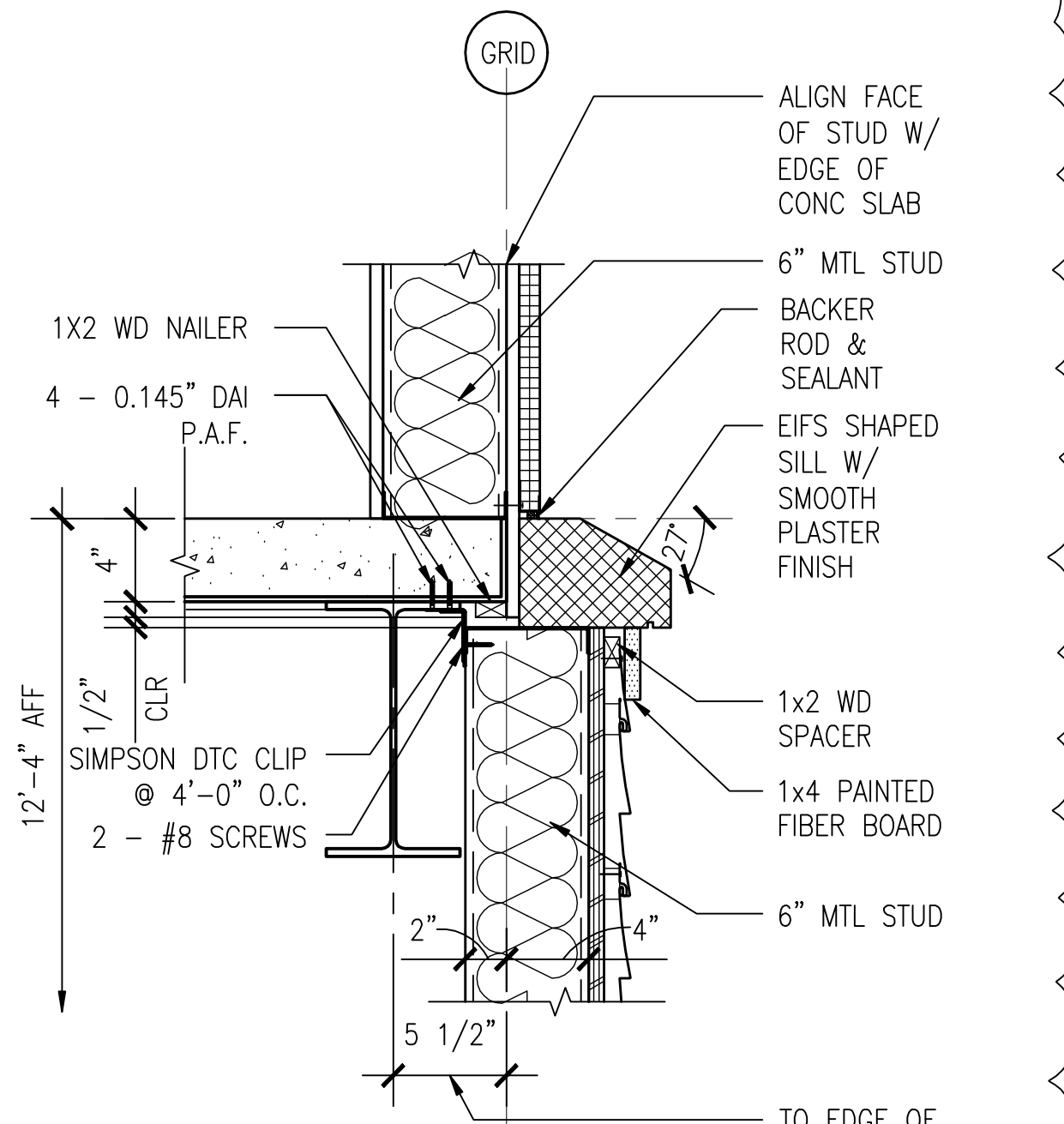


**2A WALL DETAIL**  
 @ GROUND LEVEL SC: 1 1/2" = 1'-0"  
 AE-XXX



**1A WALL DETAIL**  
 @ BEAM SLOTTED CONNECTION SC: 1 1/2" = 1'-0"  
 AE-XXX



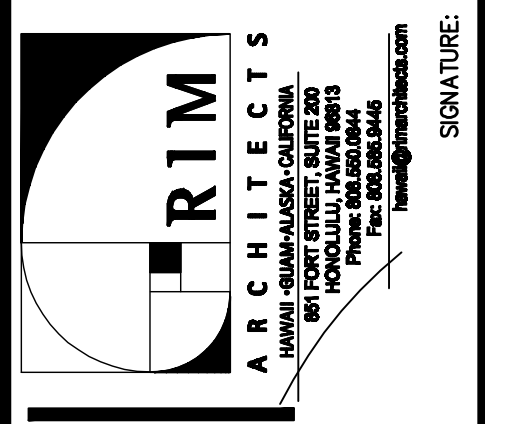
**1B WALL DETAIL**  
 @ 2ND FLOOR SLOTTED CONNECTION SC: 1 1/2" = 1'-0"  
 AE-XXX

FLOOR	ROOM FINISH SCHEDULE										REMARKS
	ROOM NAME	FLOOR FINISH	WALL BASE	WALLS				CEILING	HEIGHT		
				A	B	C	D				
FIRST FLOOR	RECEPTION/WAITING	CPT01	VB01	PT01	PT01	PT01	PT01	ACT	9'-0"		
	LOBBY	CT01	VB01	PT01	PT01	PT01	PT01	ACT	9'-0"		
	BREAK ROOM	SV01	VB01	PT01	PT01	PT01	PT01	ACT	9'-0"		
	SERVER / TELECOM ROOM	SV01	VB01	PT01	PT01	PT01	PT01	-	-		
	MEN'S RESTROOM	CT02	CT03	PT01/CT03	PT01/CT03	PT01/CT03	PT01/CT03	GYP	9'-0"	PROVIDE 4'-0" CERAMIC TILE WAINSCOT WITH COVE BASE AND BULLNOSE CAP	
	WOMEN'S RESTROOM	CT02	CT03	PT01/CT03	PT01/CT03	PT01/CT03	PT01/CT03	GYP	9'-0"		
	JANITORS CLOSET	CT02	CT03	PT01	PT01	PT01	PT01	GYP	9'-0"	PROVIDE TILE FLOOR WITH CERAMIC TILE COVE BASE ONLY	
	ELEVATOR MACHINE ROOM	-	-	PT01	PT01	PT01	PT01	GYP	9'-0"		
	ELECTRICAL ROOM	-	-	PT01	PT01	PT01	PT01	GYP	9'-0"		
	OPEN OFFICE	CPT01	VB01	PT01	PT01	PT01	PT01	ACT	9'-0"		
	OFFICE 1	CPT01	VB01	PT01	PT01	PT01	PT01	ACT	9'-0"		
	CONFERENCE ROOM	CPT01	VB01	PT01	PT01	PT01	PT01	ACT	9'-0"		
	STAIR 1	CT01	-	PT01	PT01	PT01	PT01	GYP	9'-0"		
	STAIR 2	RF01	-	PT01	PT01	PT01	PT01	-	-		
SECOND FLOOR	RECEPTION/WAITING	CPT02	VB01	PT01	PT01	PT01	PT01	ACT	9'-0"		
	OPEN OFFICE	CPT02	VB01	PT01	PT01	PT01	PT01	ACT	9'-0"		
	OFFICE 1	CPT02	VB01	PT01	PT01	PT01	PT01	ACT	9'-0"		
	OFFICE 2	CPT02	VB01	PT01	PT01	PT01	PT01	ACT	9'-0"		
	CONFERENCE ROOM	CPT02	VB01	PT01	PT01	PT01	PT01	ACT	9'-0"		
	OFFICE 3	CPT02	VB01	PT01	PT01	PT01	PT01	ACT	9'-0"		
	FILE / COPY ROOM	SV01	VB01	PT01	PT01	PT01	PT01	ACT	9'-0"		
	BREAK ROOM	SV01	VB01	PT01	PT01	PT01	PT01	ACT	9'-0"		
	MEN'S ADA RESTROOM	SV01	VB01	PT01	PT01	PT01	PT01	GYP	9'-0"		
	WOMEN'S ADA RESTROOM	SV01	VB01	PT01	PT01	PT01	PT01	GYP	9'-0"		
	SERVER ROOM	SV01	VB01	PT01	PT01	PT01	PT01	-	-		
	STAIR 1	CT01	-	PT01	PT01	PT01	PT01	ACT	9'-0"		
	STAIR 2	RF01	-	PT01	PT01	PT01	PT01	-	-		

MATERIAL / COLOR SCHEDULE (INTERIORS)				
TAG	MATERIAL	MANUFACTURER	COLOR/ DESCRIPTION	REMARKS
ACT	ACOUSTIC CEILING TILE	ARMSTRONG	2X2 TEGULAR	
CPT01	CARPET	SHAW	GLUEDOWN BROADLOOM	
CPT02	CARPET	SHAW	PADDED BROADLOOM	
CT01	PORCELAIN TILE	DALTILE	ASPEN LODGE SHADOW PINE-AL62	USE GROUT GT01
CT02	CERAMIC QUARRY TILE	DALTILE		USE GROUT GT02
CT03	CERAMIC TILE	DALTILE		USE GROUT GT02
PT01	FIELD PAINT	SHERWIN WILLIAMS	SEMIGLOSS, COLOR: TBD	
PT02	ACCENT PAINT	SHERWIN WILLIAMS	SEMIGLOSS, COLOR: TBD	
RF01	RUBBER FLOORING			
VB01	VINYL WALL BASE		6" COVE BASE	
GT01	CERAMIC TILE GROUT			
GT02	CERAMIC TILE GROUT			
SP01	SOLID POLYMER COUNTER AND BACKSPLASH	DUPONT	CORIAN, COLOR: TBD	
PL01	PLASTIC LAMINATE			



Department of the Navy  
 Hawaii Regional Housing PPV - Increment II  
 FAMILY HOUSING OFFICE AT MCBH  
 KANEHOE BAY, OAHU, HAWAII



PROFESSIONAL SEAL:	
BY:	DA
DESCRIPTION:	BID ADDENDUM
DATE:	11/20/09
NO.:	1
REVISIONS:	3
DATE:	12/14/09

DESIGNED: JB, RC  
 DRAWN: DA  
 CHECKED: JB, RC  
 SCALE: 1/4" = 1'-0"  
 DATE: NOV 9, 2009  
 APPROVED: FOREST CITY APPR'D

SHEET TITLE:  
 ROOM FINISH SCHEDULE & WALL DETAILS  
 SHEET NO.:  
**HOF-AE-602**  
 REV. NO.: 1

IF SHEET IS LESS THAN (22" X 34") IT IS A REDUCED PRINT-SCALE REDUCED ACCORDINGLY