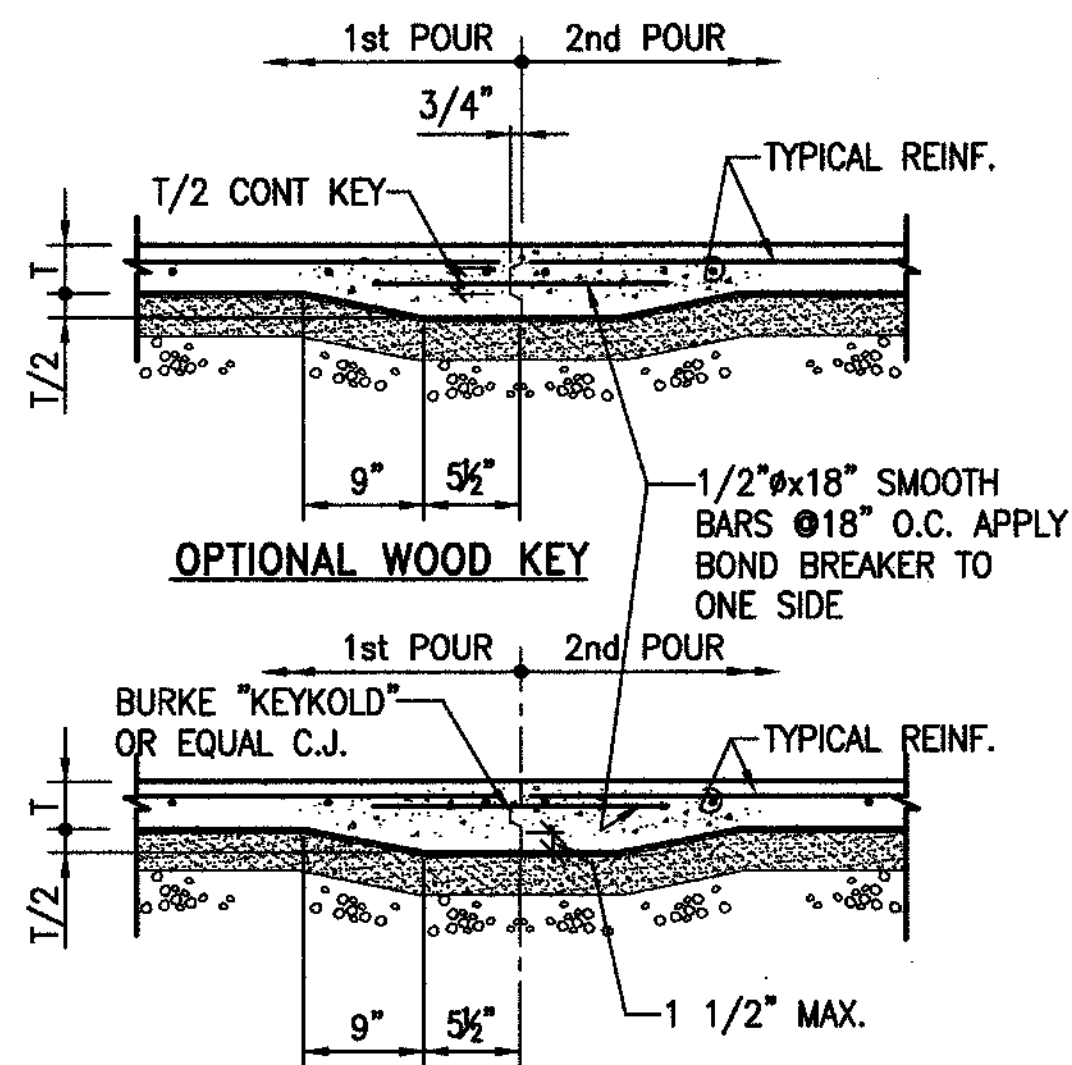
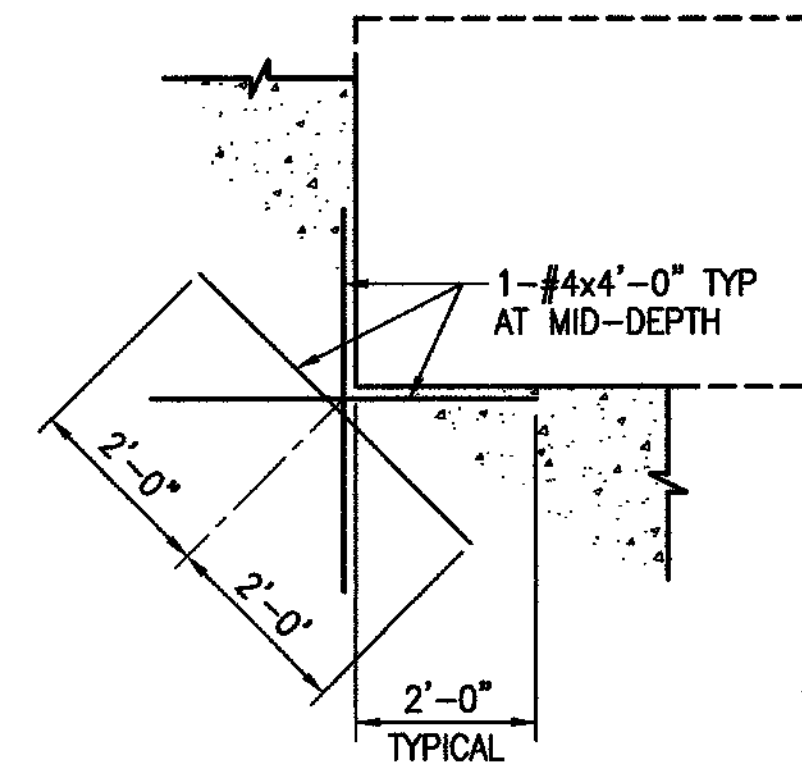


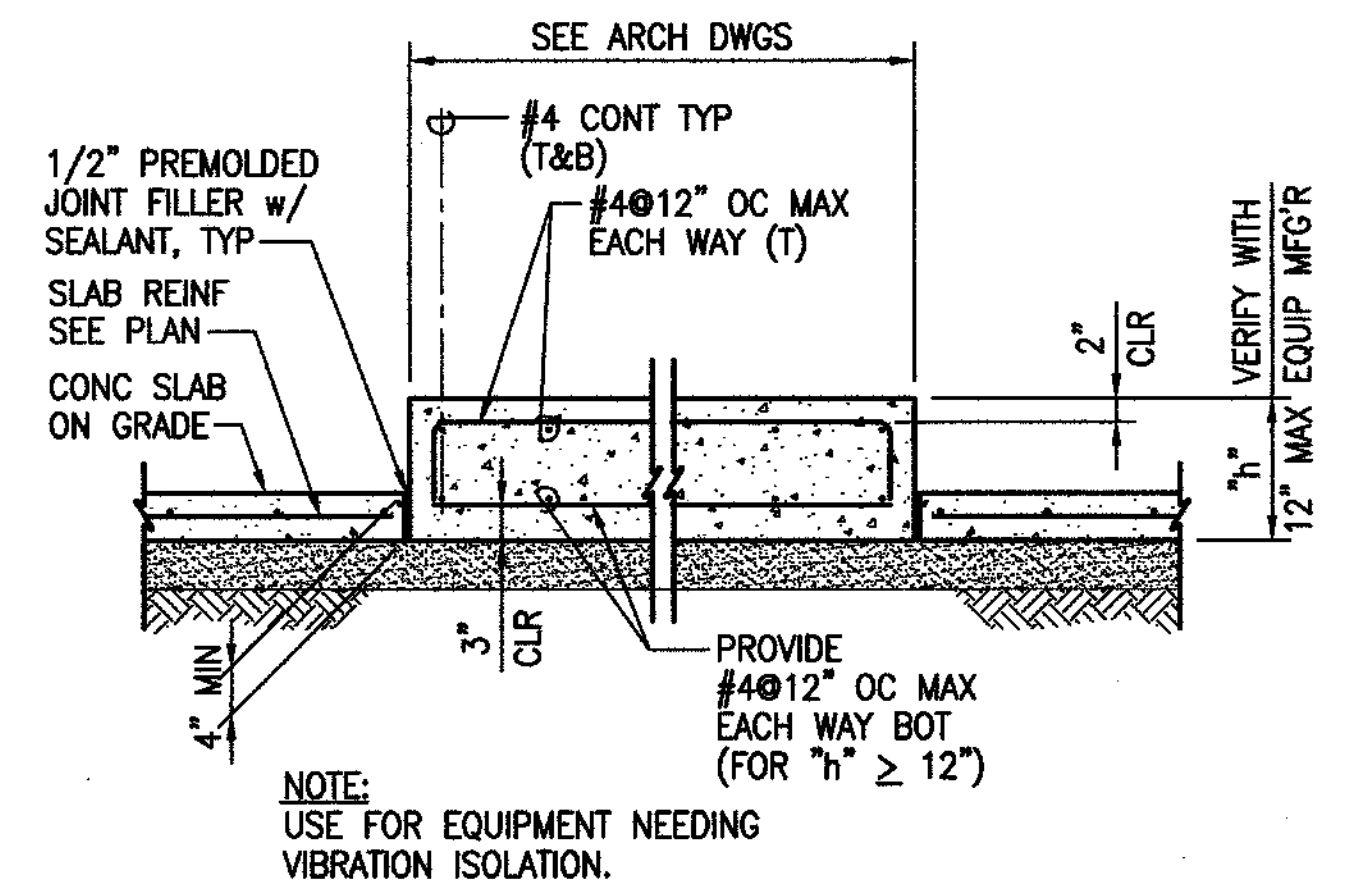
**1** TYPICAL SLAB ON GRADE DETAIL  
S-3 SCALE: NONE



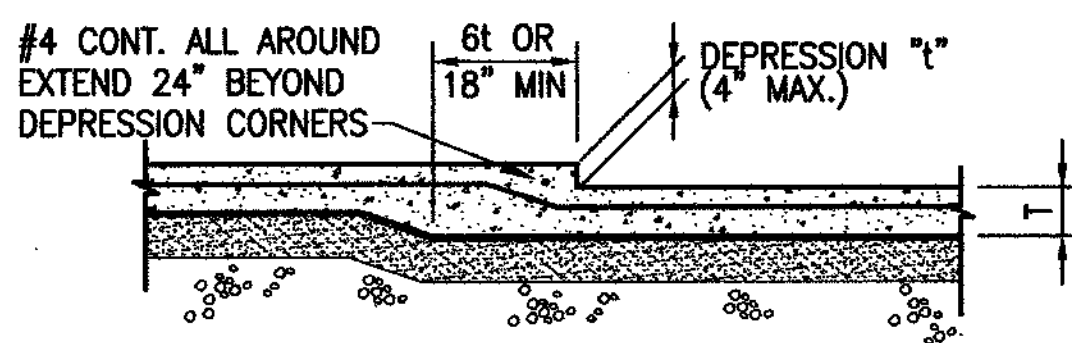
STEEL KEY WITH DOWELS  
**2** TYP SLAB-ON-GRADE CONSTRUCTION JOINTS  
S-3 SCALE: NONE



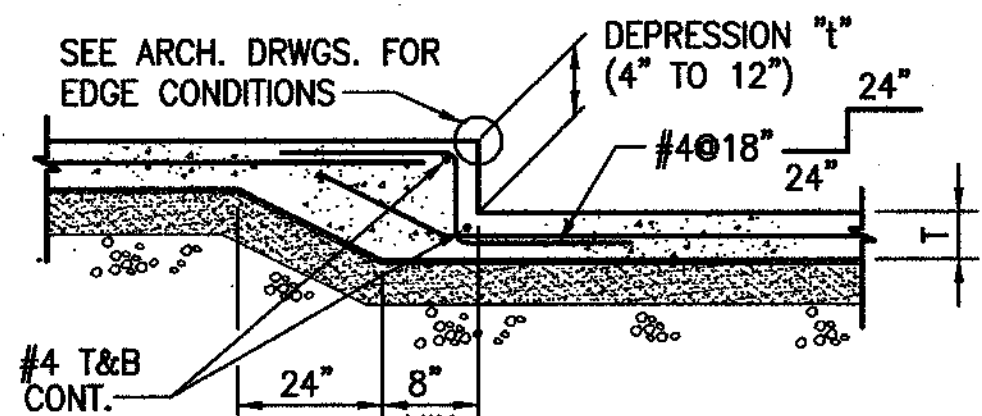
**3** TYPICAL S.O.G. RE-ENTRANT CORNER OR BLOCKOUT DETAIL  
S-3 SCALE: NONE



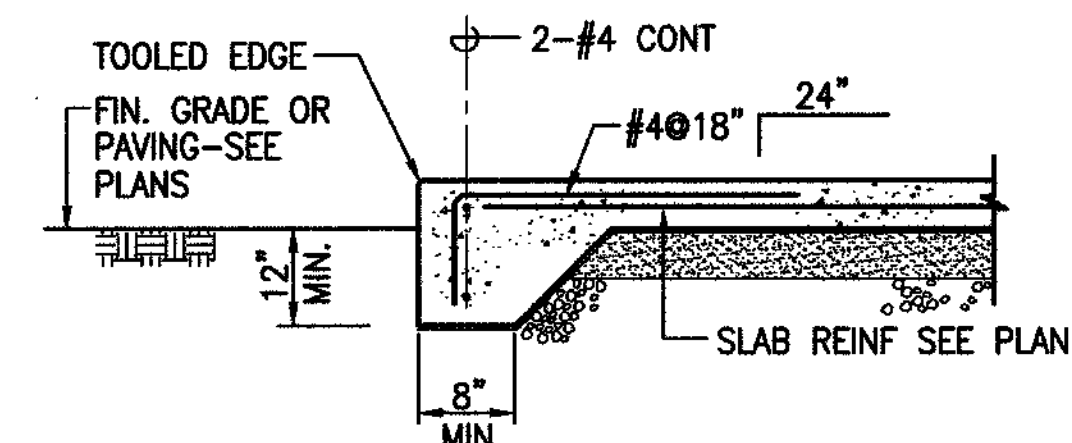
**4** TYP EQUIPMENT CONCRETE PAD ON GRADE DETAIL  
S-3 SCALE: NONE



DEPRESSED SLAB

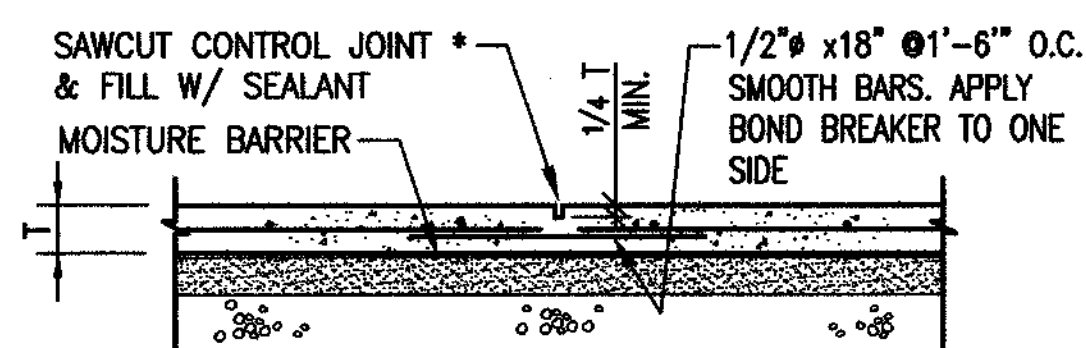


DEPRESSED SLAB



SLAB EDGE

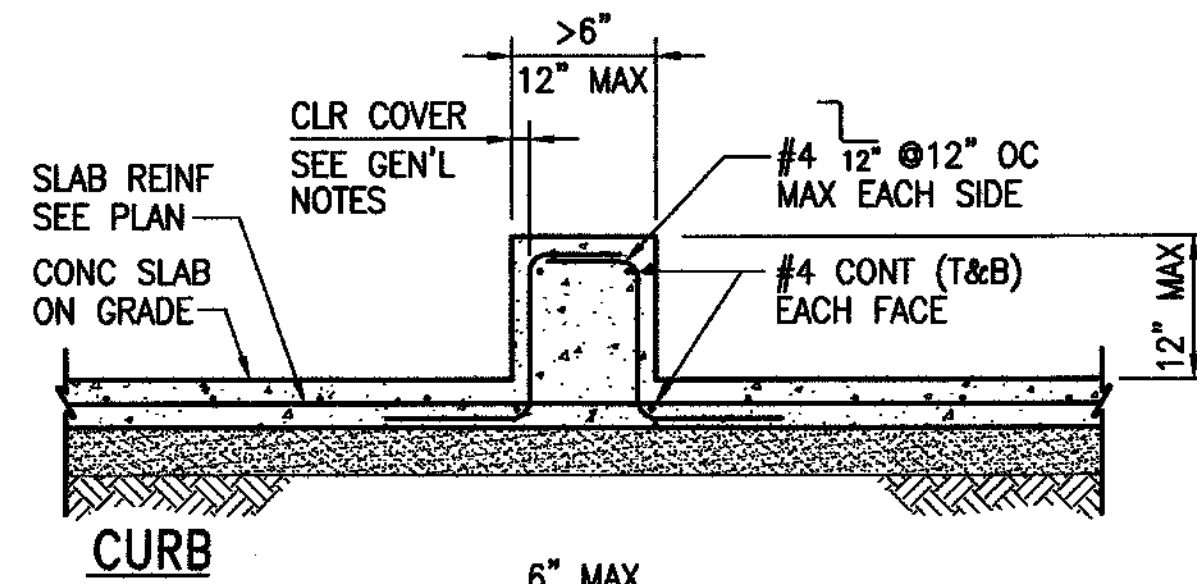
**5** TYP SLAB-ON-GRADE DETAILS  
S-3 SCALE: NONE



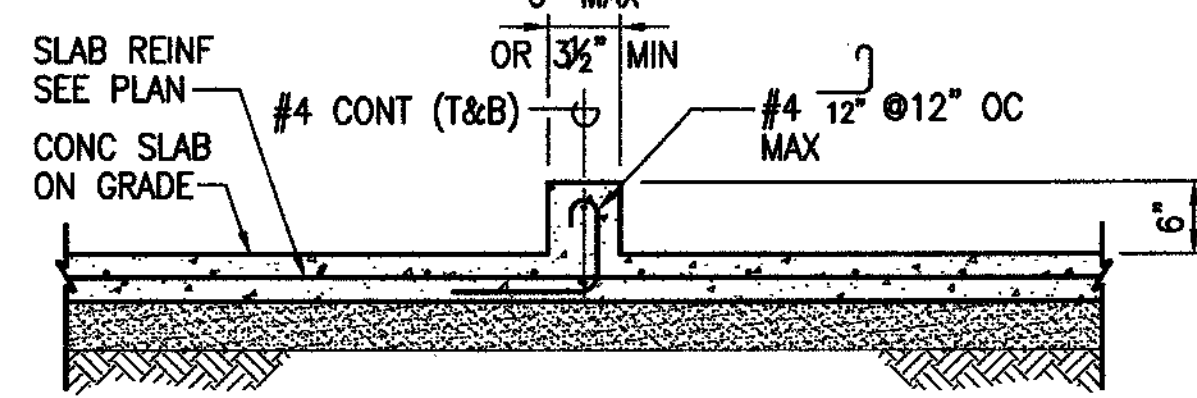
\* SAWING MUST OCCUR AS SOON AS CONCRETE SURFACE IS FIRM ENOUGH SO CONCRETE WILL NOT BE DAMAGED, BUT NO LATER THAN 7 HOURS AFTER CONCRETE HAS BEEN POURED.

OPTIONAL SAWED CONTROL JOINT  
\* (NOT TO BE USED FOR SLABS OVER 6\"/>

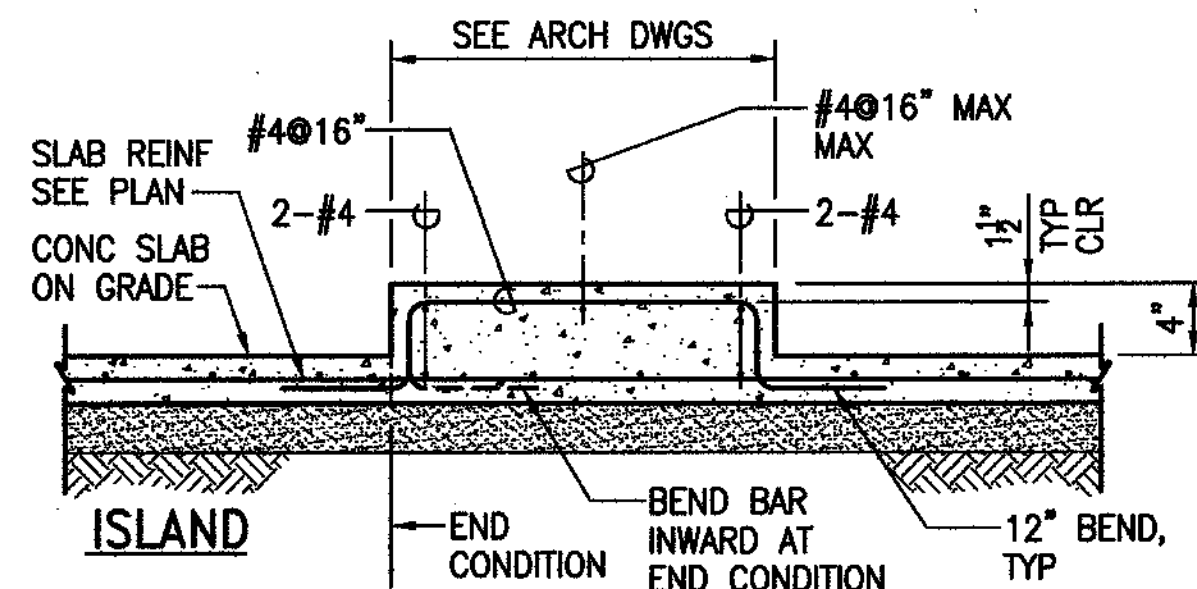
**6** TYP SLAB-ON-GRADE CONTROL JOINTS  
S-3 SCALE: NONE



CURB



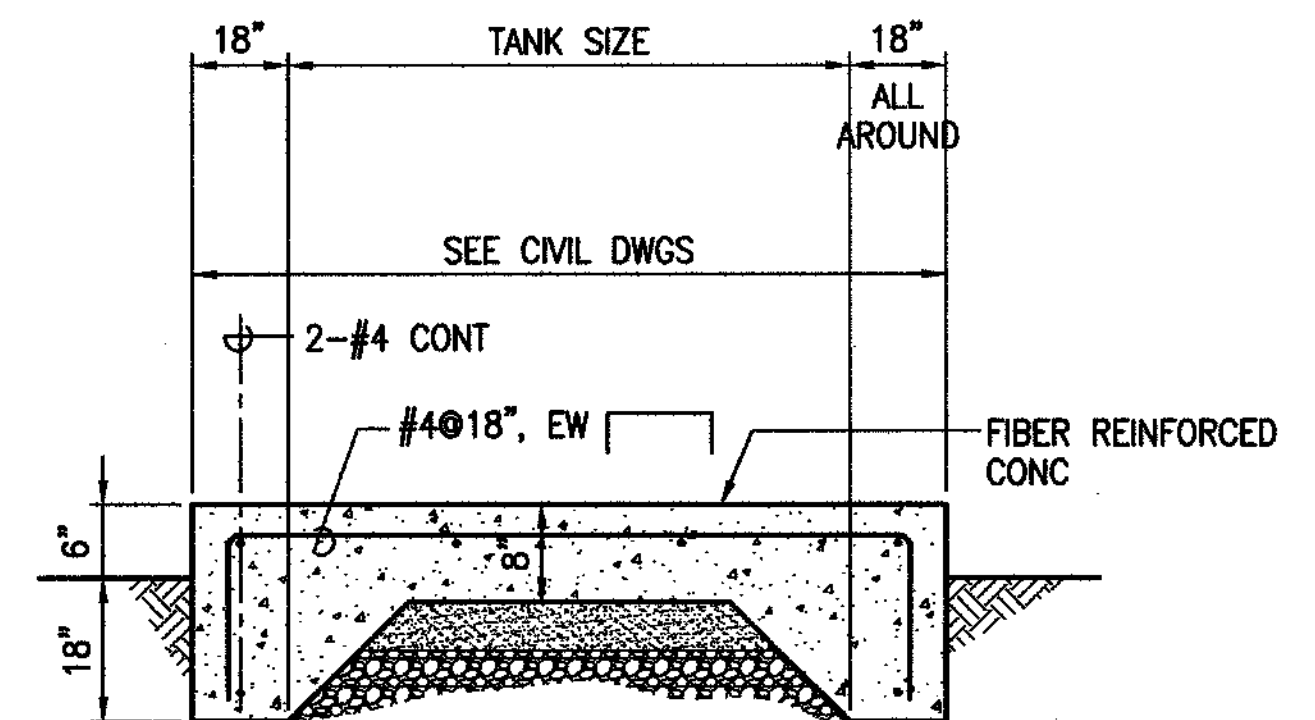
CURB



ISLAND

**7** TYP CONC CURB AND ISLAND ON GRADE DETAIL  
S-3 SCALE: NONE

NOTE:  
1. TERMITE CONTROL WITH STAINLESS STEEL BARRIER MESH NOT SHOWN FOR CLARITY. FOLLOW BARRIER MESH MANUFACTURER'S INSTRUCTIONS.  
2. SEE ARCHITECTURAL, MECHANICAL, AND ELECTRICAL DRAWINGS FOR CURB DIMENSIONS.



**8** FUEL TANK FOOTING DETAIL  
S-3 SCALE: NONE

ADD 1	NOTE ADDED	3/5	4/30/10	
REVISION NO.	SYMBOL	DESCRIPTION	SHT. OF	DATE
				APPROVED: PUBLIC WORKS ADMINISTRATOR
		DEPT. OF ACCOUNTING & GENERAL SERVICES DIVISION OF PUBLIC WORKS STATE OF HAWAII INFORMATION AND COMMUNICATION SERVICES DIVISION HILO MAUKA RADIO SITE AND TOWER HILO, HAWAII 96720 T.M.K. 2-3-022-037 TYPICAL DETAILS		
THIS WORK WAS PREPARED BY ME OR UNDER MY SUPERVISION		DESIGNED BY: SK	CHECKED BY: SK	DRAWING NO. 11-10-0479
		DRAWN BY: CM/GH	APPROVED BY: SK	DATE: APR 5 2010
Expiration Date of License: 04/30/12		SCALE: AS NOTED	SHEET 20	OF 23 SHEETS

Path: C:\WORK\7739-20 Hilo mauka\STRUC\10 Filenames: S-3 Plot date: May 03, 2010 10:49:44am CAD User: wchang Xref Filenames: DwgSdr | AUTODAT